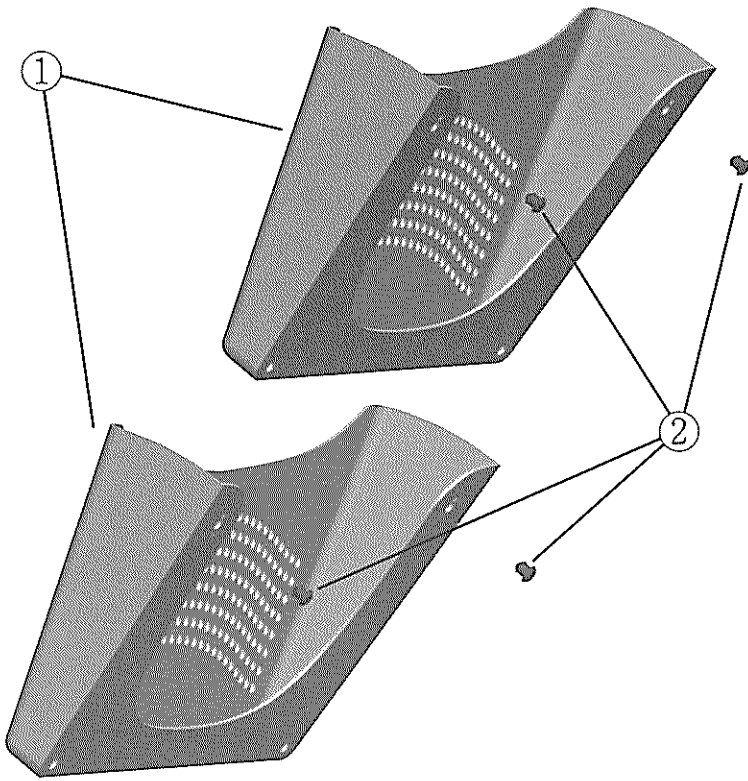


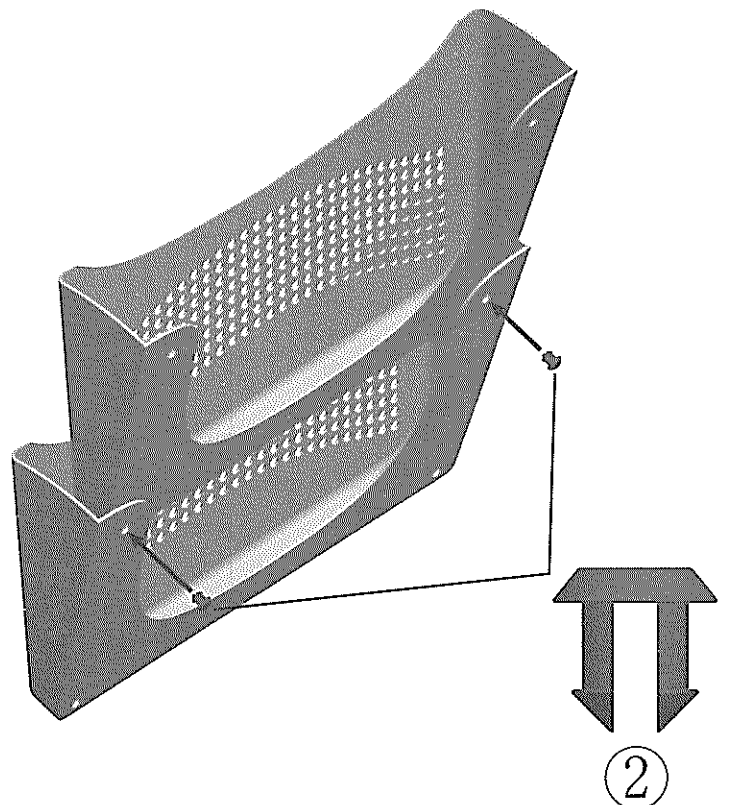
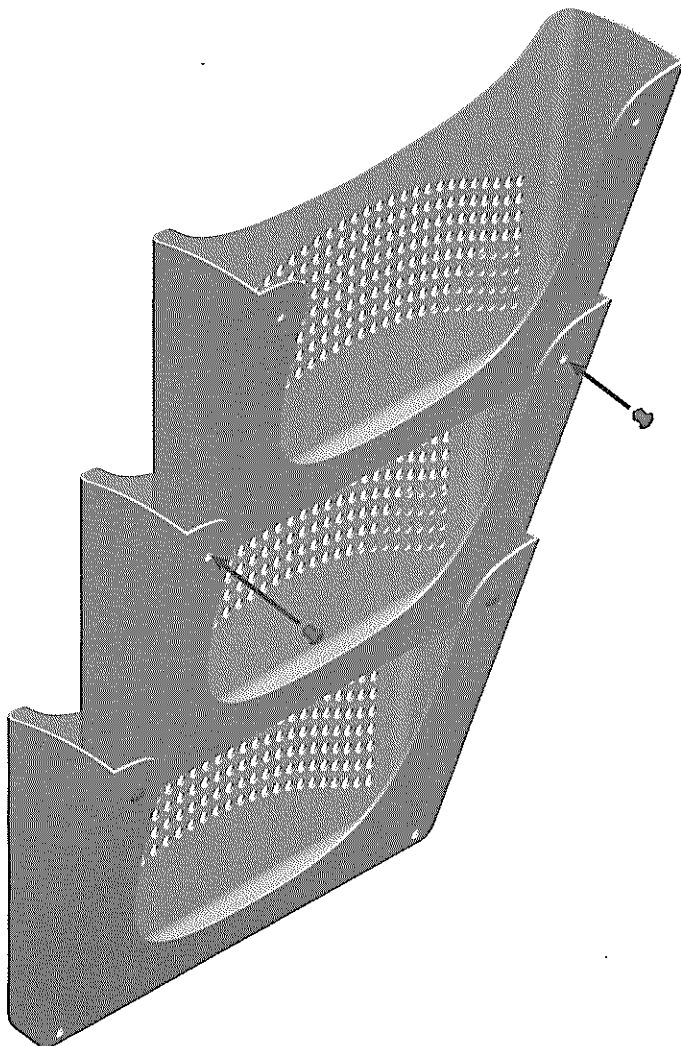
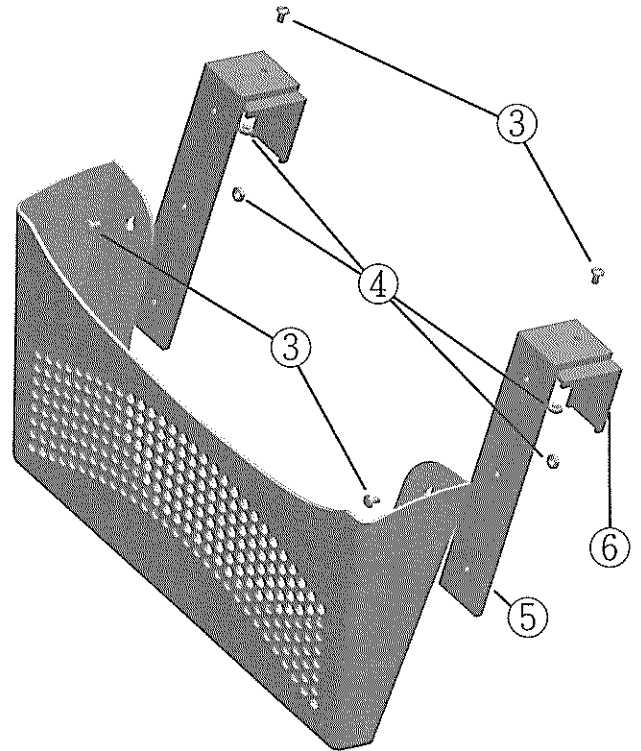
PARTS DIAGRAM

PARTS LIST:

Parts	Qty	Description
①	3	Pocket
②	4	Insert
③	4	Screw
④	4	Nut
⑤	2	Connect Brace
⑥	2	Pothook

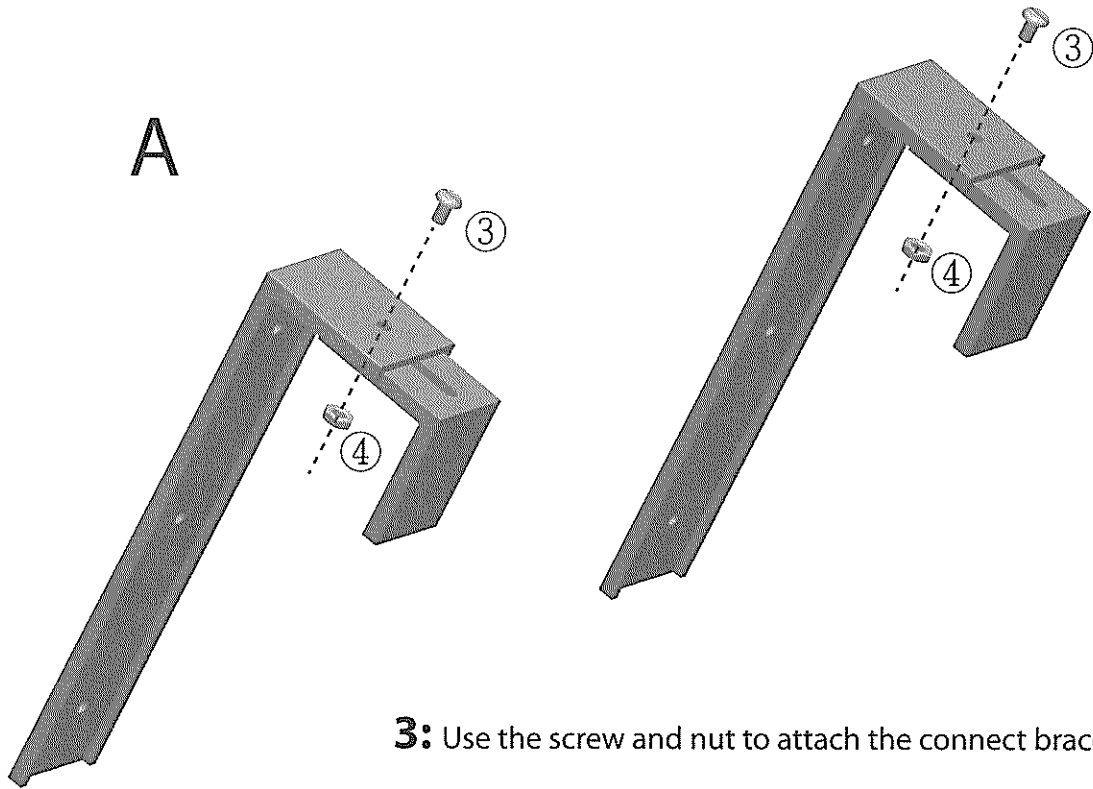


1: Use one insert each side to attach pocket together



Fit the insert into the holes

2: Use the screw and nut to attach the connect brace and pothook as shown A.



3: Use the screw and nut to attach the connect brace as shown B.

